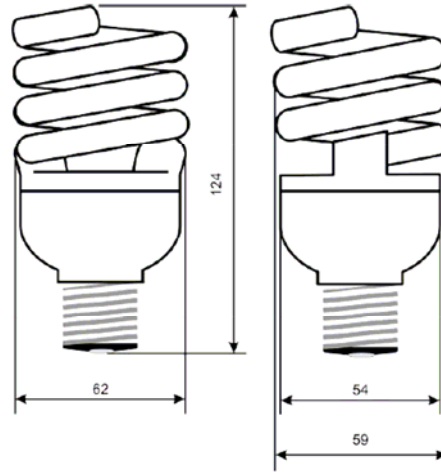


# VARILIGHT SWITCH DIMMABLE ENERGYSAVER+



## Technical Specification

- Rated at 20W
- Available with B22 or E27 fitting
- Compatible with standard light switches
- Incorporates patented DigiFlux technology
- Dimming range: 3% to 100%
- Switch on at any light level
- Constant light output with voltage fluctuations
- High luminous output of 66 Lm/W
- Long lifetime of 16000 hours
- Colour temperature 2700°K
- Energy Class A1
- Excellent Power Factor Correction of >0.67
- Colour Rendering Index of 81 Ra
- High Quality T3 Tube
- Low mercury content only 2.5mg



Power	Input Current	Power Factor Switch Dimmable	Colour Rendering Index	Colour Temperature	Luminous Flux	Luminous Output	Dimensions /mm		
							W1	W2	H
20W	0.92A	>0.67	81 Ra	2700K	1300 Lm	66 Lm/W	62	54	124

## How It Works

<p><b>①</b></p>	<p><b>②</b></p>	<p><b>③</b></p>
<p>Each time the lamp is switched on it comes on at the same brightness it was last switched off at.</p>	<p>To change the brightness, switch off and then on again within one second.</p> <p>The lamp will start to cycle smoothly down and then up again from 3% to 100% brightness.</p> <p>Any brightness can be selected.</p>	<p>When the brightness you want is reached, switch off and on again. The lamp is now set at this brightness until you want to change it.</p> <p>To change the brightness, follow these steps again.</p>